



## **Dura Rack Pallet Rack**



*237,000 sq. ft. manufacturing facility*

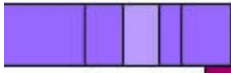
Our Company had its start in 1930 and although we have had changes in manufacturing sites, we have a continuous record of manufacturing quality material handling products. During the last 72 years, our goal has been to improve our products and efficiency in manufacturing.

Today we produce products with the use of computer controlled production lines, automatic welding systems and powder coating.

Thank you for your trust. We will work hard to earn your confidence.

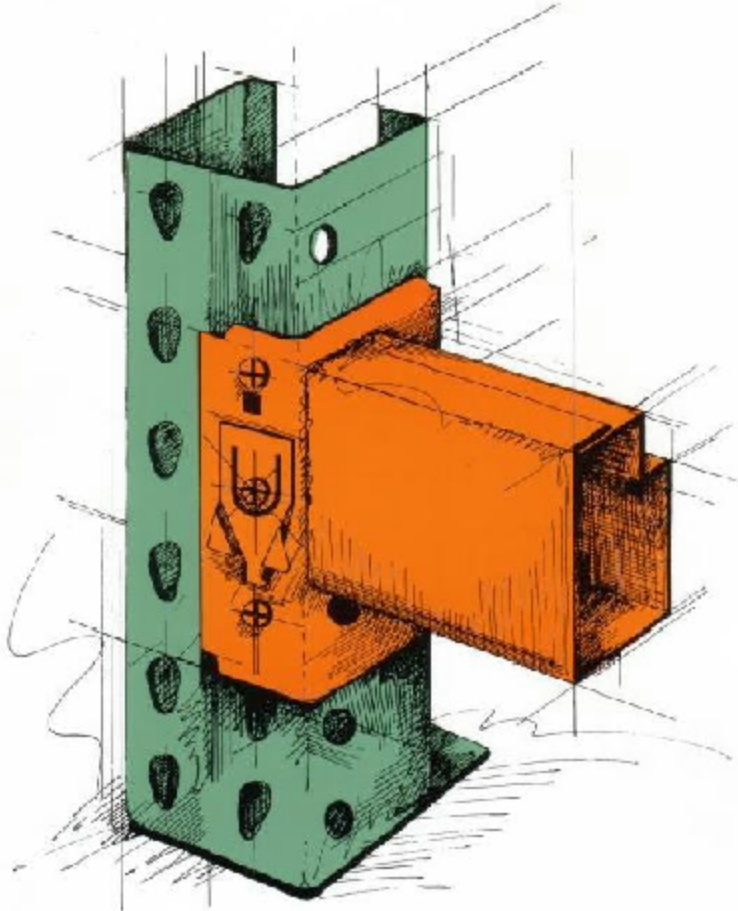
**PHONE: 713-688-3798 FAX: 713-688-9164**

**DURA RACK  
750 ALMEDA-GENOA RD.  
HOUSTON, TX 77047**



- Dura Rack Pallet

**DURA RACK, INC.**



# FRAMES

Teardrop design - most popular industrial standard -offers 2" adjustability for most efficient height usage.

Standard widths to 64" and heights to 300" to cover most storage applications.

Height tensile steel columns and heavy channel bracing soundly welded together result in strong and reliable upright truss.

Boltless design insures ease of assembly and adjustment.

The finish is iron phosphated and is coated with powder coating to insure protection of rack components. Standard colors: dura green - frames, safety orange - beams.

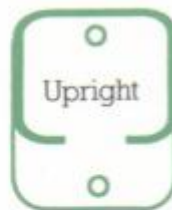
Weight capacities to 35,000 Lbs. Capacities are based on 54" beam spacing.

All rack components designed in accordance with requirements of the Rack Manufacturers Institute and conform to AISC and light gage cold-formed standards.

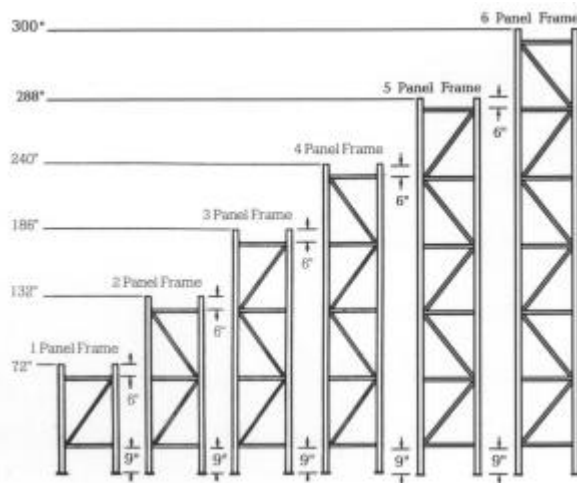
All frames have footplates welded to the frame posts. Each footplate is 4-1/2" x 3" x 10 GA. and has two (2) 9/16" holes for securing frames to the floor.

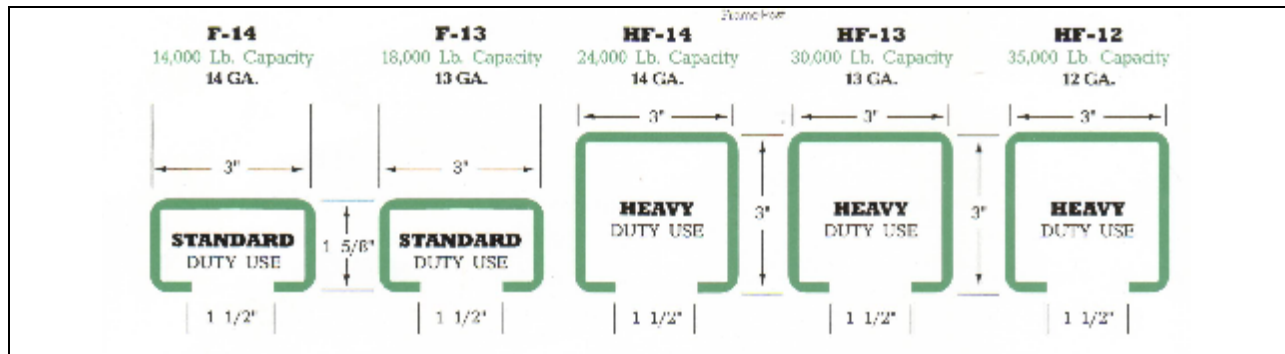


10 GA. Foot Plate  
Welded to  
Frame Post.



Top View  
of Foot Plate  
and position  
of Frame Post.





**Standard Widths:**

24", 30", 36", 42"  
 48", 54", 60", 64"  
 Other widths available

**Standard Heights:**

72", 84", 96", 108", 120", 132", 144", 156",  
 168", 180", 192", 204", 216", 228", 240",  
 246", 252", 258", 264", 270", 276",  
 282", 288", 294", 300",

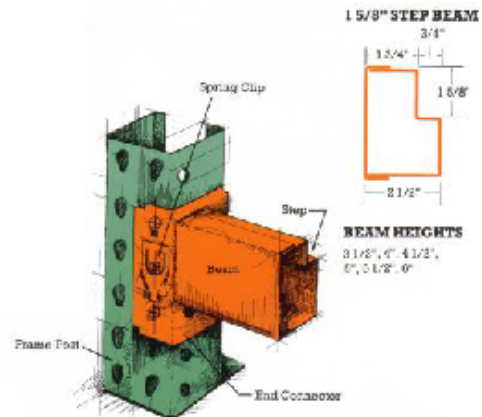
**LOAD BEAMS**

Beams are made of high strength steel, using two-piece construction welded for the strongest beam design.

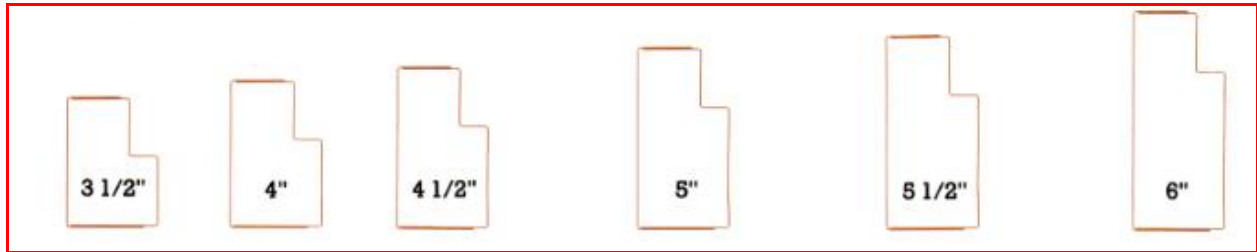
The beams have heavy duty connector clips with a self-locking safety spring that automatically locks the beam into place. Solid load bearing rivets secure the beams to the frame and the locking action increases as the load increases.

Standard beam lengths are available to 144" long in many load capacities. Meets or exceeds RMI standards.

Steel surfaces receive an iron phosphate coating and then are coated with powder coating safety orange to protect rack components.

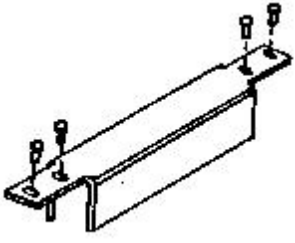
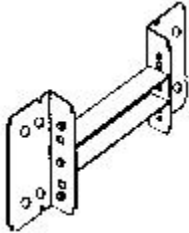
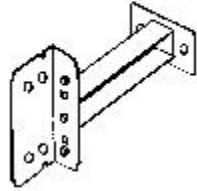

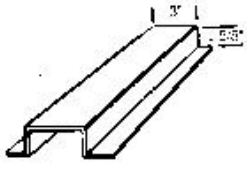
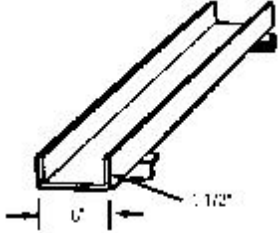
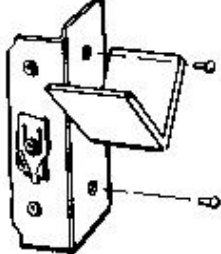
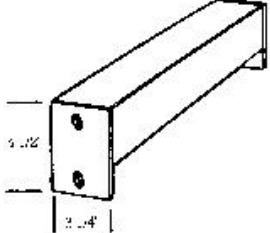
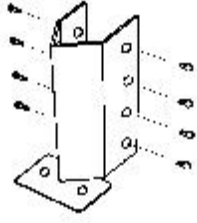
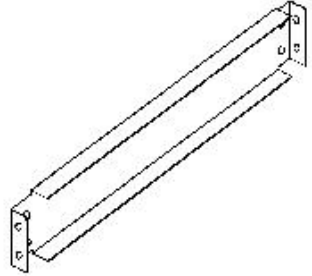
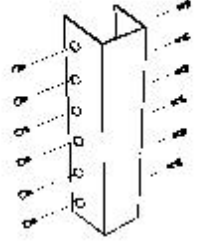
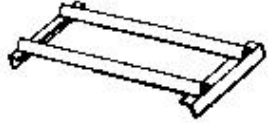


## Beam Capacities



BEAM LENGTH	35 - 16 CAP	40 - 16 CAP	45 - 16 CAP	50 - 16 CAP	40 - 14 CAP	45 - 14 CAP	50 - 14 CAP	55 - 14 CAP	60 - 14 CAP	60 - 13 CAP
72"	4050	5200	6000	7240						
78"	3730	4820	5744	6980						
84"	3560	4490	5556	6234						
90"	3290	4150	5210	6180						
96"	3065	4040	5010	5750		6060	7000	7950	9160	10000
102"	2850	3595	4378	5050			6310	7180	8260	9390
108"	2400	3505	4075	4800		5260	6000	6770	7800	8870
114"		3250	3904		4380	4890	5650	6420	7390	8400
120"		2978	3865			4580	5370	6100	7000	8000
126"		2685	3665	4580			5110	5810	6690	7600
132"		2395	2850	3760			4880	5540	6380	7260
138"		2250			2620	3460	4490	5300	6110	6940
144"					2390	3160	4110	5080	5850	6650

# Accessories

 <p>Heavy Duty Row Spacer Model No. RS-Length</p>	 <p>Rigid Row Spacer Model No. RRS-Length</p>	 <p>Heavy Duty Rigid Wall Tie Model No. RWT- Length</p>	 <p>Base Plates Model No. BP</p>
 <p>Plywood Support Bar Model No, PS-Length</p>	 <p>Skid Channel Standard Duty (.104) Model No. SC- Length</p>	 <p>Reel Holder Model No. RH</p>	 <p>Fork Clearance Bar Medium Duty 14 GA. Model No. HFCB- Length - Medium Duty 13 GA. Model No. HFCB</p>
 <p>External Upright Column Protectors Model No. CP- Length</p>	 <p>Front to Back Support Model No. FB-Length</p>	 <p>Column Splice Kits Model No. CSK-Length</p>	 <p>Drum Bed Cradle Model No. DBC-Length</p>

**New: Tear Drop Pallet Rack**  
(many truckloads in stock)

Frames - Call For Quantity Discounts

36" x 96" (3 * 1 5/8" column)	\$30.96	
42" x 96" (3 * 1 5/8" column)	\$31.51	
36" x 144" (3 * 1 5/8" column)	\$46.02	
42" x 144" (3 * 1 5/8" column)	\$47.04	
48" x 144" (3 * 1 5/8" column)	\$48.10	
42" x 192" (3 * 1 5/8" column)	\$62.99	
42" x 192" x (3 * 3" column)	\$76.48	

**Beams**

96" x 4" - 4040# per pr	\$16.72	
96" x 5" - 5750# per pr	\$17.98	
96" x 5 1/2" - 7960# per pr	\$19.57	
108" x 4" - 3505# per pr	\$18.00	
108" x 4 1/2" - 4075# per pr	\$18.78	
108" x 5" - 4800# per pr	\$19.37	
120" x 5" - 5650# per pr	\$21.79	
144" x 5" - 4110# per pr	\$25.75	
144" x 5 1/2" - 5080# per pr	\$28.35	
102" x 3 1/2" - 2850# per pr	\$16.71	

\* Many other sizes available - Call for a quote

PHONE: 713-688-3798 FAX: 713-688-9164

DURA RACK  
750 ALMEDA-GENOA RD.  
HOUSTON, TX 77047